



BAMBOO GARMENT RACK INSTRUCTION MANUAL

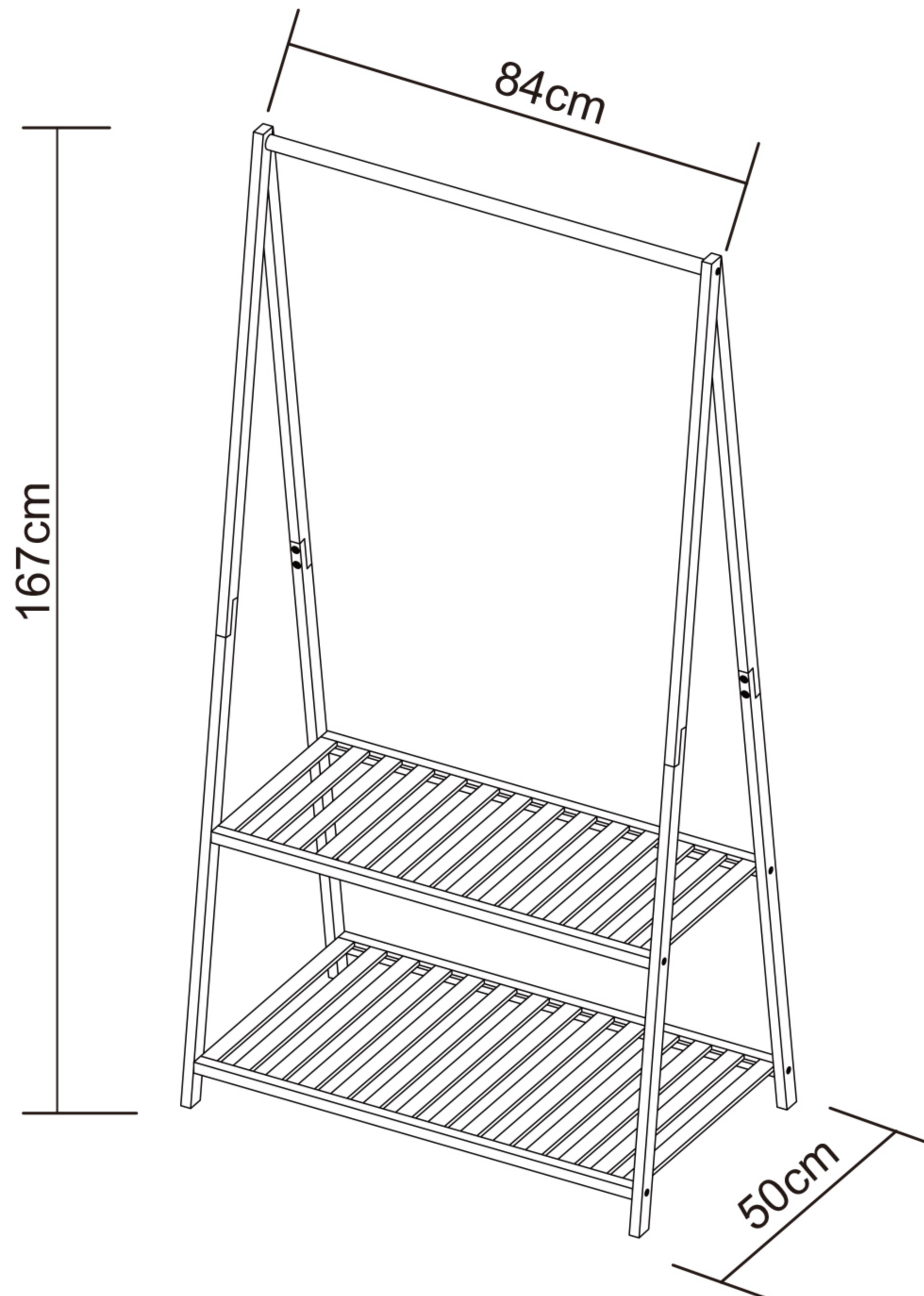
Maximum weight for shelf 10kg, hanging rod 5kg



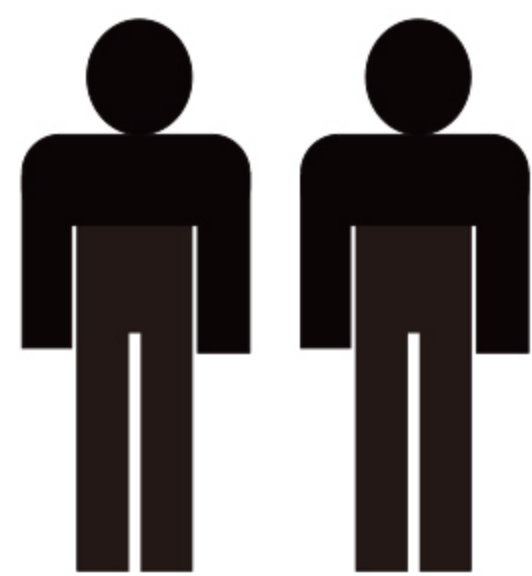
This icon in assembly instructions indicates important notes that users should follow during assembly.



To reduce paper waste and protect the environment, less pages are used and printed on recycled paper.



2-PERSON ASSEMBLY



STOP
BEFORE
RETURNING
TO STORE

Read the manual.
It will help you get the best out of your product.

Still have questions?
Call After Sales Support
0800 422 274

Tighten all fixings until secure.
Be careful not to over-tighten,
as this may result in damage.

Warranty

We pride ourselves on producing a range of quality products that are both packed with features and completely reliable. We are so confident in our products, we back them up with a two years warranty.
Now you too can relax knowing that you are covered.

Customer Helpline NZ: 0800 422 274
This product is covered by two years warranty
when accompanied by proof of purchase.

IMPORTANT, RETAIN FOR FUTURE REFERENCE: READ CAREFULLY

Tips before you start

- 1 For the protection of your furniture, we recommend that the product is placed on a protected surface during assembly to prevent any damage.
- 2 Check and fasten all the fixings and hardware before use, any connection failure may lead to hazards, e.g. tipping, falling, collapse.
- 3 For ease and speed of assembly, we recommend that you identify all the parts required for each step before commencing assembly.
- 4 For larger items, please ensure that you have sufficient space and people to assemble your product safely.
- 5 We recommend that, where possible, all items are assembled near the area in which they will be placed in use, to avoid moving the product unnecessarily.
- 6 During assembly please take care not to over-tighten hardware, as this may damage the product. Do not use power tools.
- 7 Always place the product on a steady and stable surface.
- 8 Do not stand on the product. Do not use the product as a stepladder.
- 9 This product is intended for indoor, household use only as it is a non-industrial product.
- 10 Please use caution and care when lifting the product to avoid personal injury and/or product damage.

Bamboo Furniture Care Instructions

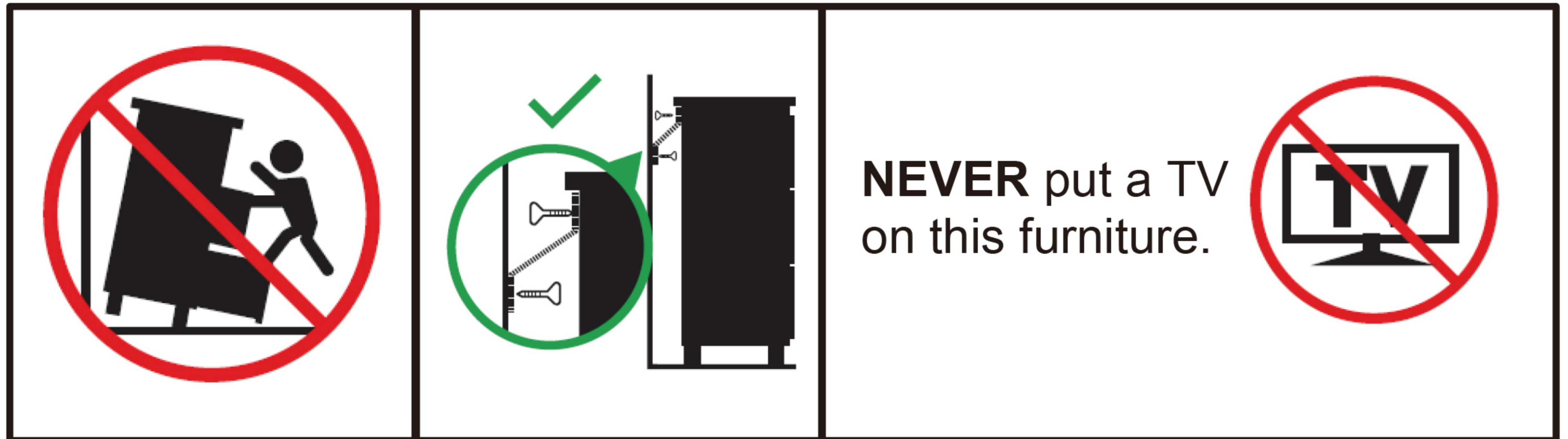
- 1 Always dust or vacuum accumulated surface dirt prior to the use of any water.
- 2 Clean with a damp cloth. Wring out any excess water and wipe the bamboo gently, Wipe down thoroughly with a fresh dry cloth. Please ensure the item is completely dry before use or placement within your house. Allow the item to dry naturally.
- 3 Do not expose your bamboo furniture to high temperatures or excessive amounts of sunlight.
- 4 Always clean in the direction of the grain.
- 5 Do not use abrasive cleaning products.
- 6 Ensure to dust or vacuum the bamboo furniture frequently.
- 7 Avoid soaking or rinsing in excessive amounts of water.
- 8 Soak up spills immediately but avoid hard rubbing, always blot (don't rub) with warm water and a clean lint-free cloth.
- 9 It is recommended periodically to clean this item completely to ensure longevity if placed within bathrooms or high moisture environments.

Care and maintenance

- ☞ Please periodically check all things and re-tighten as necessary.
- ☞ To clean your item, please use a damp cloth and wipe clean.
- ☞ Never allow any kind of liquid to remain on your furniture.
- ☞ Absorption can cause wood to warp or finishes to delaminate.
- ☞ Please do not place hot items (e.g., hot drinks) directly onto the surface.
- ☞ Please do not drag and pull your furniture.



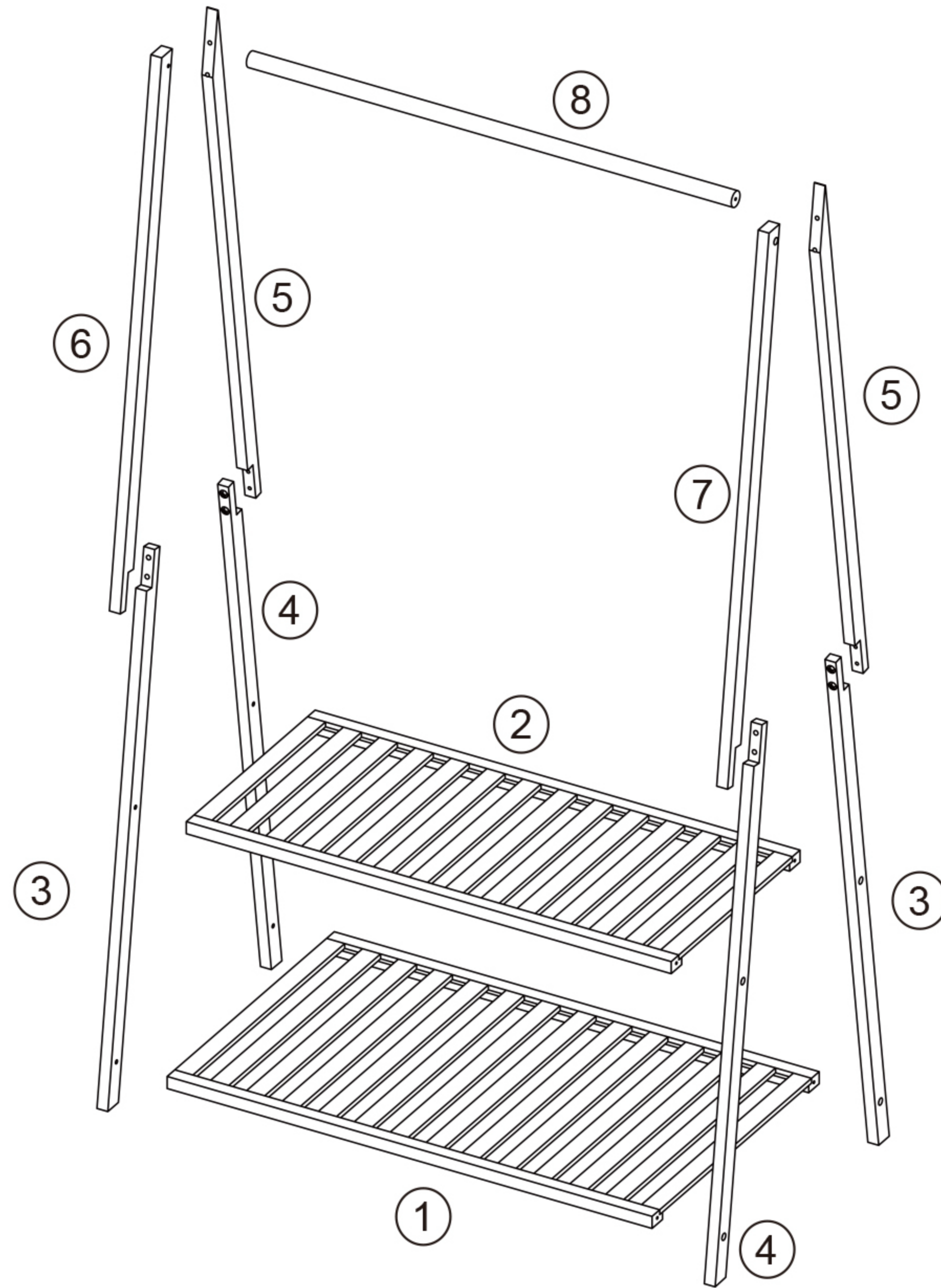
WARNING

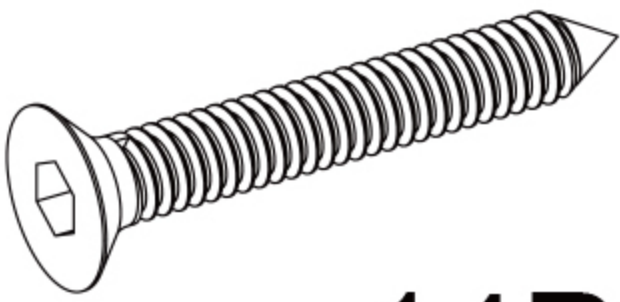
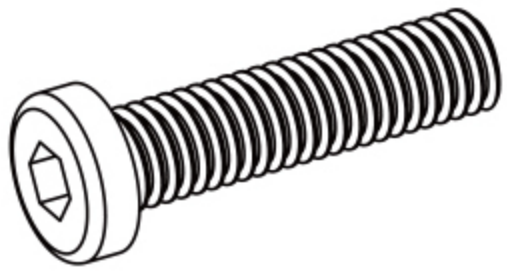
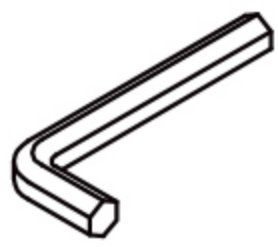
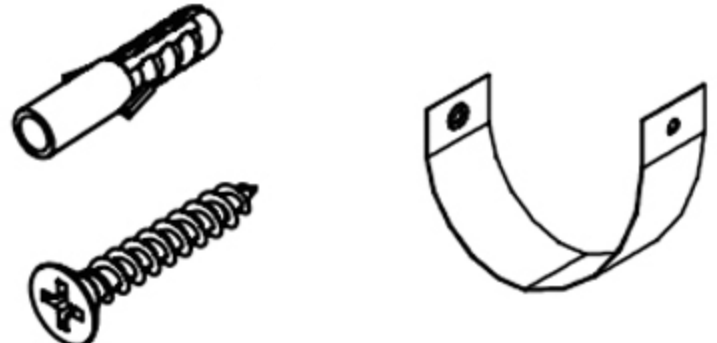


Children have died from furniture tipover.

- ALWAYS secure it with an anchor device.
- NEVER allow children to stand, climb or hang on drawers, doors, or shelves.
- NEVER open more than one drawer at a time.
- Place heavy items down low.
- The best way to prevent furniture from tipping over is to secure it to the wall or floor with anti-tipping anchor hardware provided.
- If you're renting a home, contact your landlord or agent about installing anti-tipping anchor hardware to the wall.
- Place furniture on a flat, even surface where possible. Furniture is more unstable when placed on an uneven or soft surface, such as a carpet or a rug. If you plan to place your furniture on a carpet against a wall, check to make sure the carpet isn't bulging.
- Keep your heaviest items at the bottom of your drawers or shelves.
- Do not place heavy items such as TVs or items that are attractive to children on top of furniture.
- We recommend placing locking devices on all drawers. They can help prevent children from opening them and using them as steps.

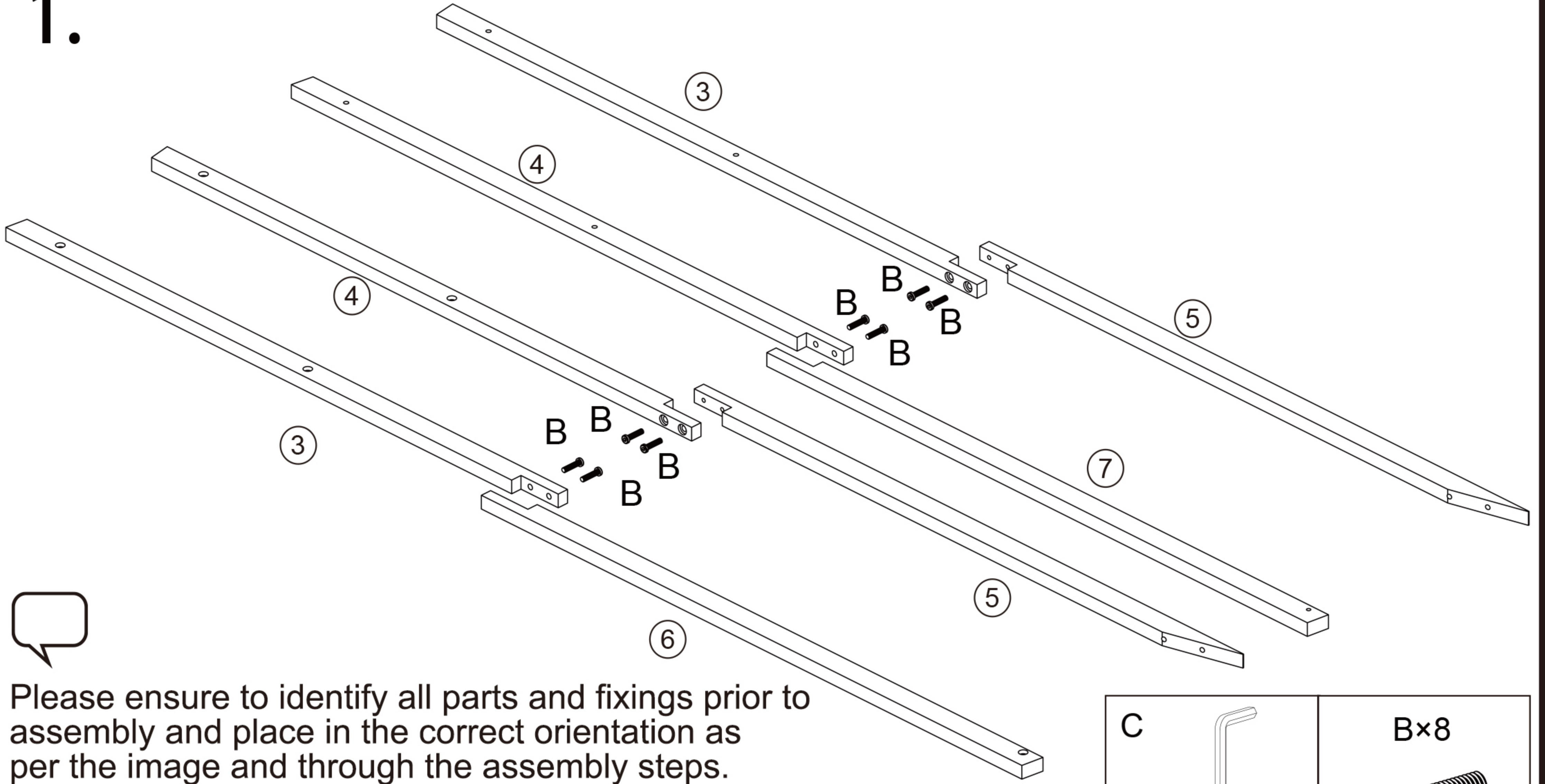
Part Name



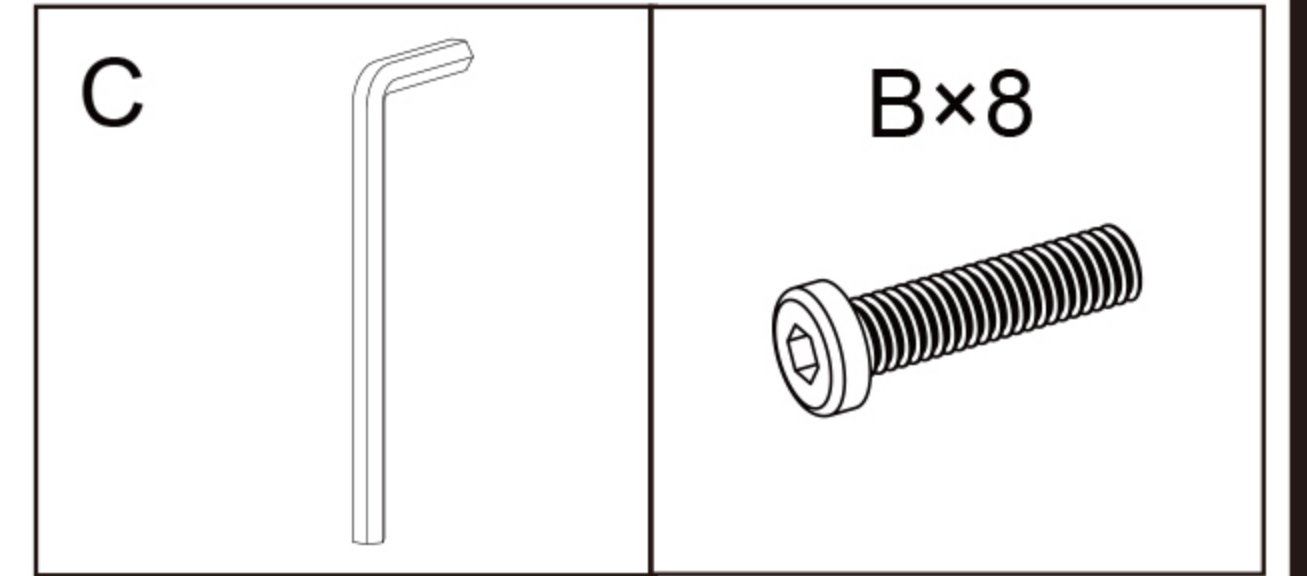
<p>A</p>  <p>14PCS</p>	<p>B</p>  <p>8PCS</p>	<p>C</p>  <p>1PC</p>
<p>D</p>  <p>1PC</p>		

Assembly

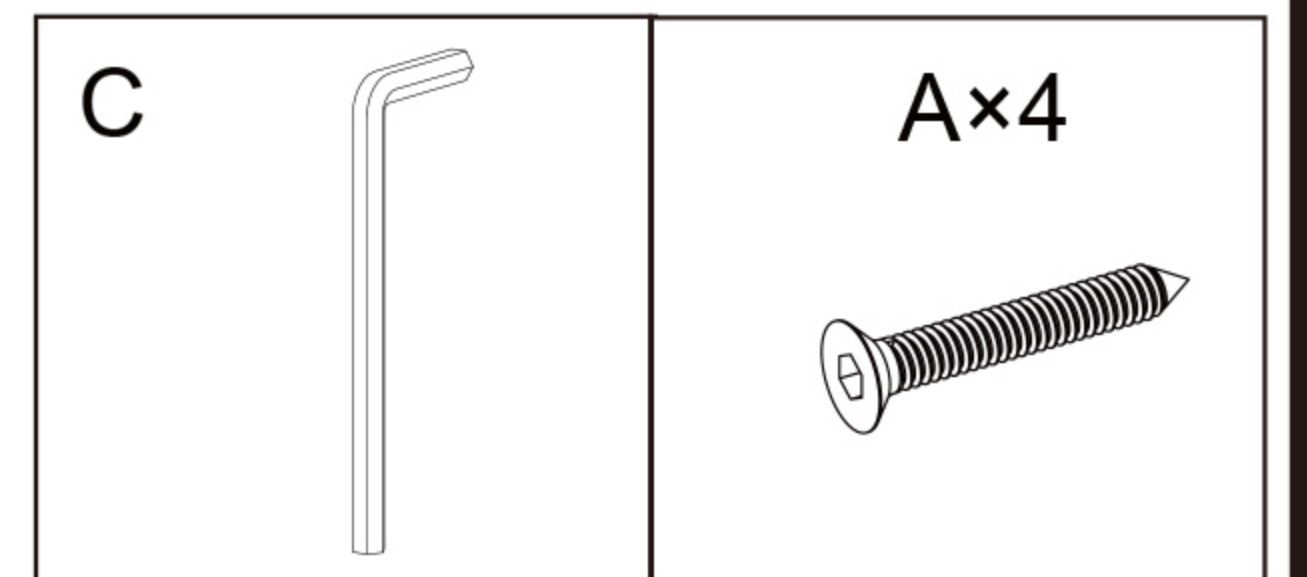
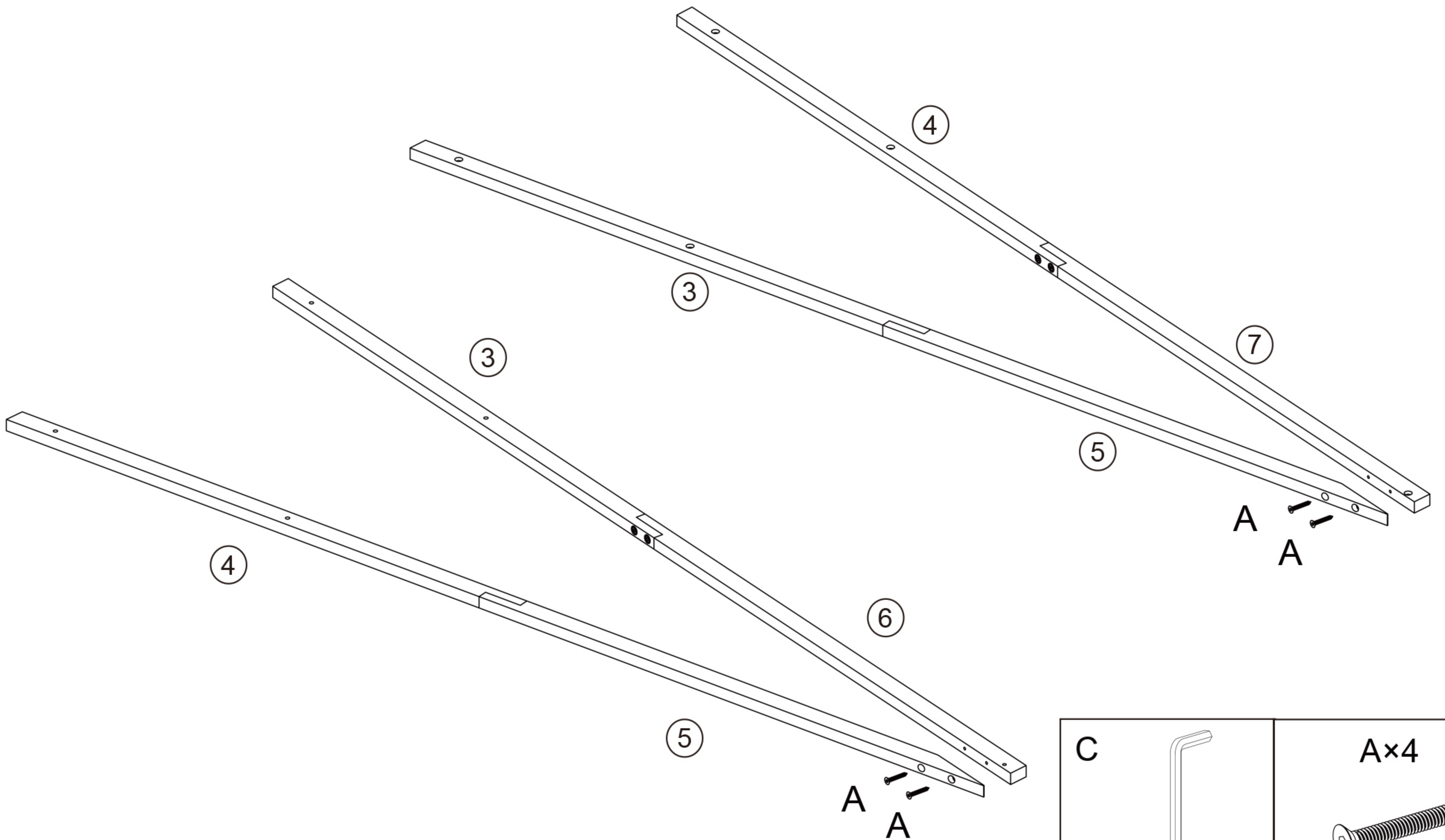
1.



Please ensure to identify all parts and fixings prior to assembly and place in the correct orientation as per the image and through the assembly steps. Install all fixings into location and 80% tighten, once all parts are aligned 100% tighten all fixings until parts are captivated, do not over tighten.

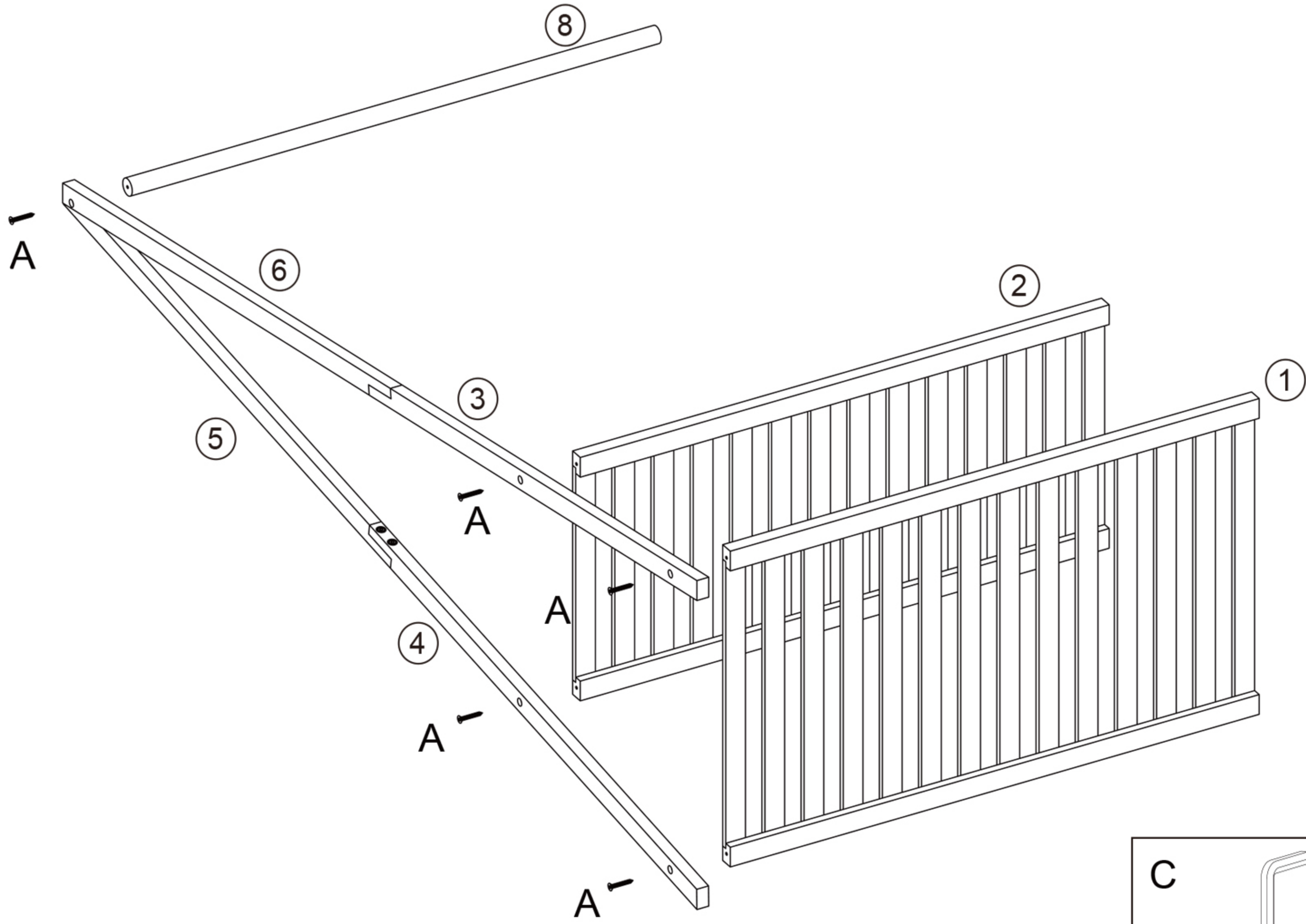


2.

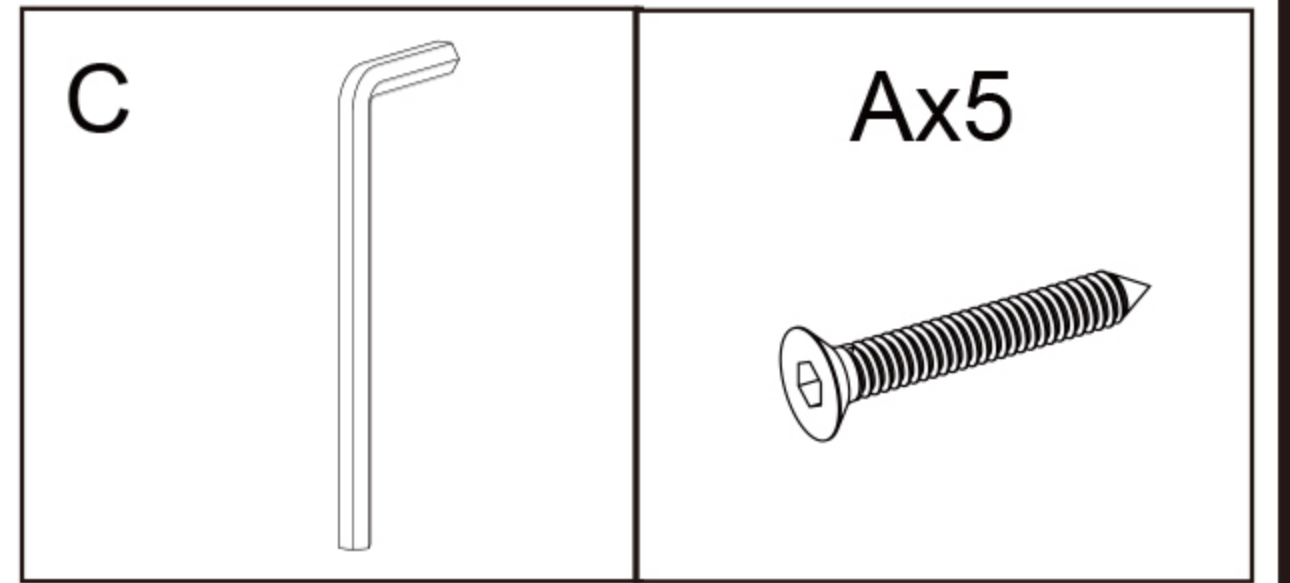


Assembly

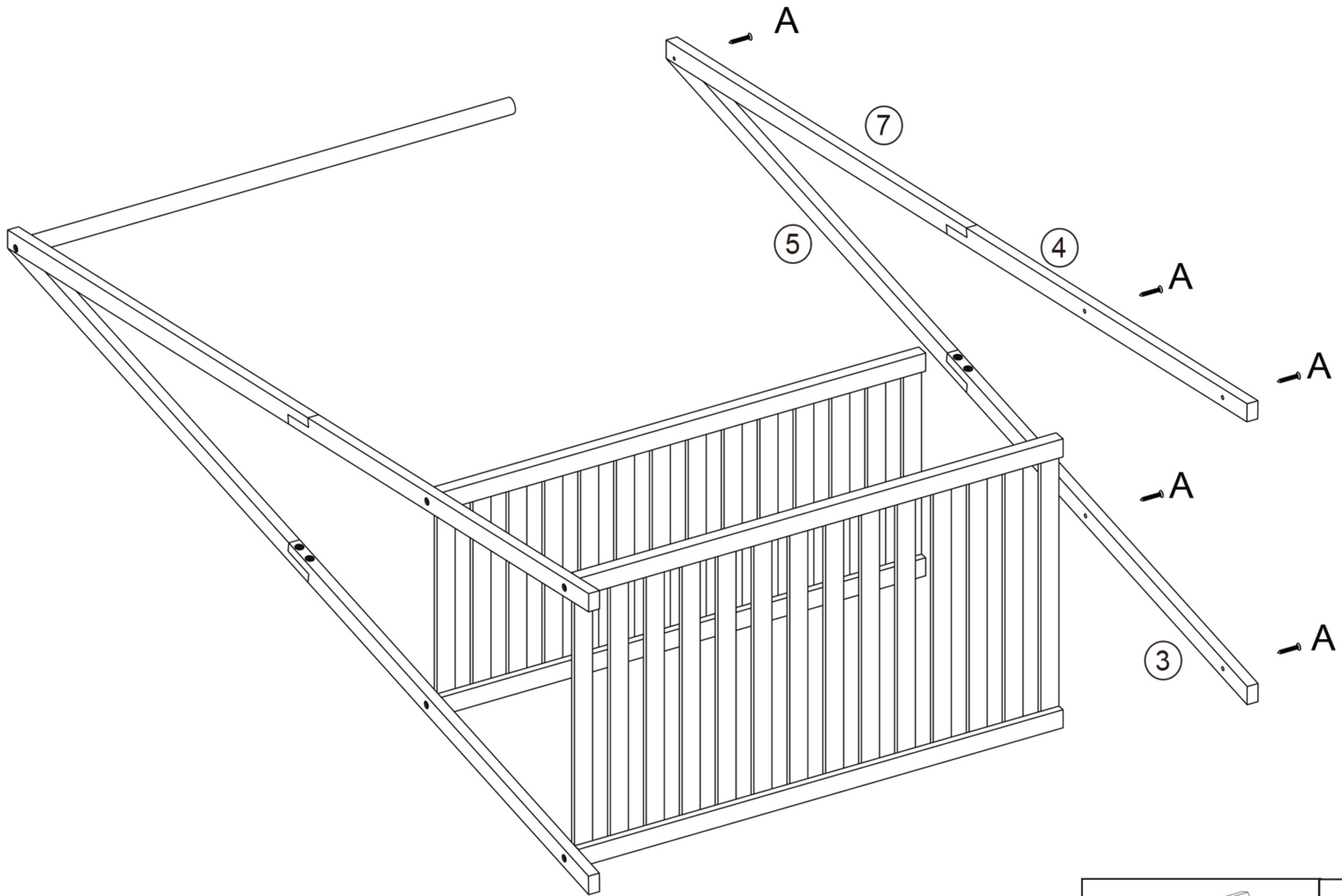
3.



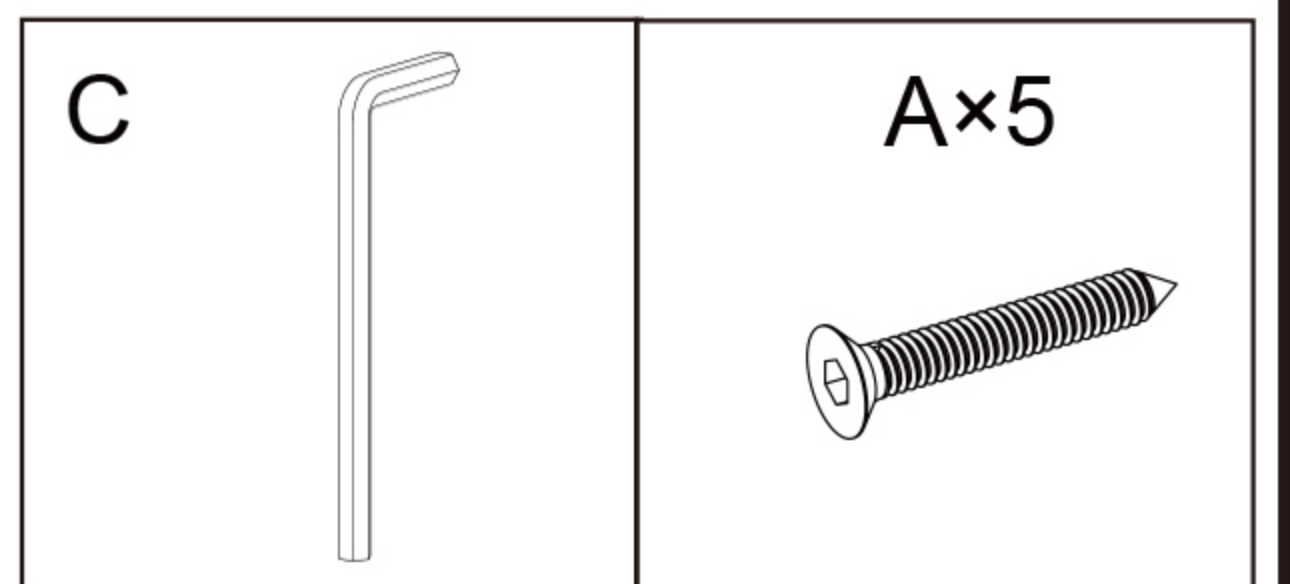
Install all fixings into location and 80% tighten, once all parts are aligned 100% tighten all fixings until parts are captivated, do not over tighten.



4.



Install all fixings into location and 80% tighten, once all parts are aligned 100% tighten all fixings until parts are captivated, do not over tighten.



Assembly

5.

